



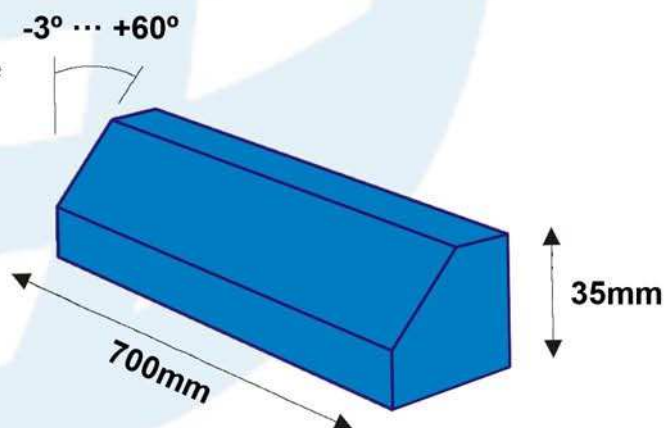
# AMT

The ideal machine for a great finish on small jobs



Table-top machine designed for polishing acrylic and methacrylate parts (PMMA) with high quality finishing. On the AMT model, its table can be positioned to obtain bevels or angles up to 60°. It is ideal for the machining of small pieces.

- Automatic feeding
- Workpiece hold-down system: clamps
- Milling angles: 15°, 22,5°, 30°, 45° y 60°
- High precision analogic depth regulator
- Included tools:
  - EIMQ-131003-LA: Finisher tool (red)
  - EIMQ-131001-LA: Precutter tool (black)



	AMT
Working length	700 mm
Maximum thickness	35 mm
Cutting depth	1,4 mm
Milling motor speed	7000 to 12000 RPM
Feed speed	0 to 1,5 m/min
Minimum / maximum inclination	-3° to +60°
Power supply	220 V 1PH // 50Hz/60Hz
Outer machine dimensions	792x539x267 mm